

---

# **User and Service Guide**

Publication number 01143-97000  
First edition, June 2000

---

## **1143A Probe Offset Control and Power Module**

---

# 1143A Probe Offset Control and Power Module

The 1143A Probe Offset Control and Power Module is an alternate control and power source for active probes. When an active probe cannot be powered from a connector at the front of the oscilloscope, the module is used to provide power, local offset control, and a remote offset interface. Following below are its main features. See chapter 2 for full characteristics.

- Power and control for two probes
- +17.3 Vdc and -17.3 Vdc at 300 mA each
- Offset current source of  $\pm 5$  mA for each probe
- Remote input for offset control

## Accessories Supplied

The following accessories are supplied.

- Power cable
- User and Service Guide

## Accessories Available

The following accessories can be ordered.

- 01143-61602, 1.5-meter (59-inch) probe power extension cable (Order with the module as Option 001.)

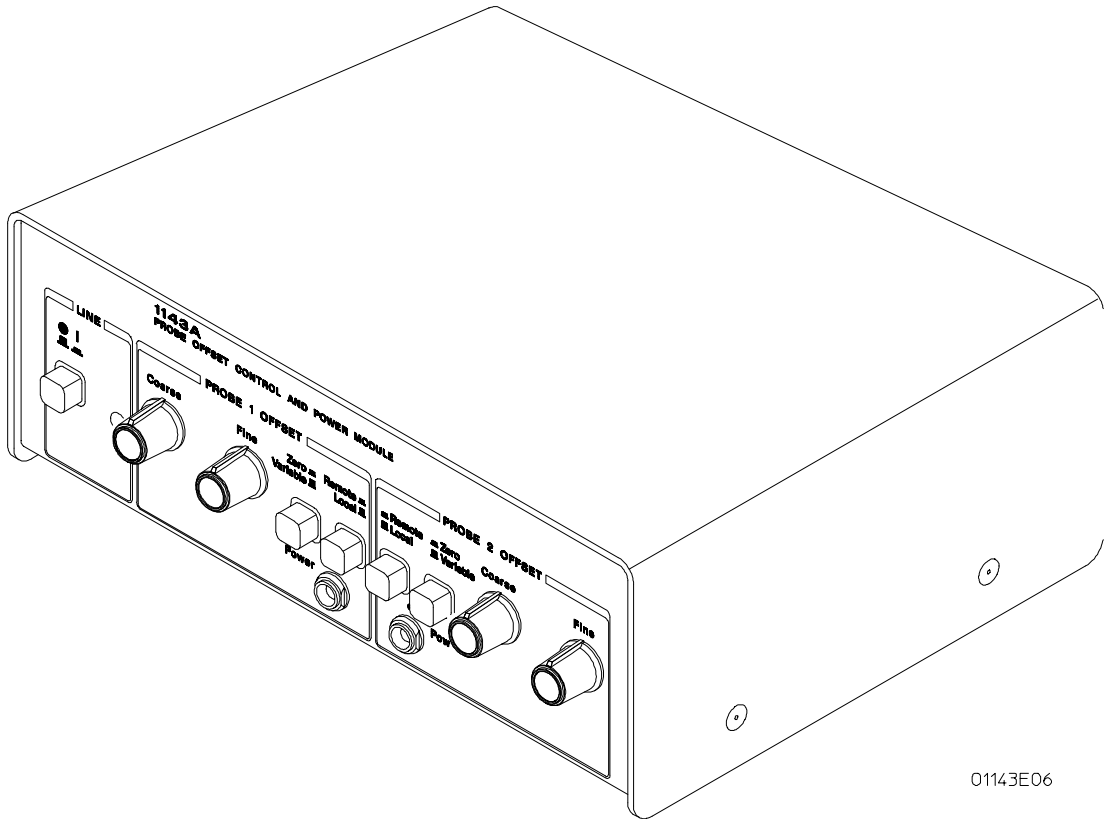
## Options Available

The following options are available.

- Option 001, 1.5-meter (59-inch) probe power extension cable
- Option 0B1, Additional User and Service Guide

## Service Strategy

The service strategy for the 1143A Probe Offset Control and Power Module is for field repair to the component level. See chapter 2, "Service," for further information.



01143E06

---

## **In This Book**

This book provides use and service documentation for the 1143A Probe Offset Control and Power Module. It is divided into two chapters.

Chapter 1 shows you how to set up and operate the instrument, both locally and remote.

Chapter 2 provides service information. Included is how to test the supply performance, how and when to make adjustments, and how to troubleshoot and repair the instrument.

---

# Contents

## 1 Operating the Power Module

- To inspect the power module 9
- To check power requirements 11
- To set the line voltage selection 11
- To set up the power module 12
- To use local offset 13
- Remote Offset Input 14



## 2 Service

- General Information 20
- Performance Characteristics 20
- Operating Characteristics 20
- General Characteristics 21
- Recommended Test Equipment 23
- Service Strategy 23
- To clean the instrument 23
- To return the instrument to HP for service 24
  
- Testing Performance 25
- Test Interval 25
- Equipment Required 25
- To test output voltages 26
  
- Making Adjustments 27
- Safety 27
- Adjustment Interval 27
- Equipment Required 27
- To prepare the equipment 29
- To adjust power supply voltages 29
- To adjust power supply current limits 30
- To adjust offset zero 31

## Contents

Troubleshooting and Repair	32
To troubleshoot the power supplies	32
To troubleshoot the offset circuitry	33
To disassemble the instrument	34
Replaceable Parts	35
Theory of Operation	44
Schematic Diagrams	47

<b>Index</b>	53
--------------	----

---

# 1

To inspect the power module 9  
To check power requirements 11  
To set the line voltage selection 11  
To set up the power module 12  
To use local offset 13  
Remote Offset Input 14



---

## Operating the Power Module

---





---

# Introduction

This chapter shows you how to connect and operate the 1143A Probe Offset Control and Power Module. The following information is covered in this chapter:

- Initial Inspection
- Power Requirements
- Line Voltage Selection
- Setting up the supply
- Using Local Offset
- Remote Offset

For additional information, read the user and service guide for the active probe being used with the module.

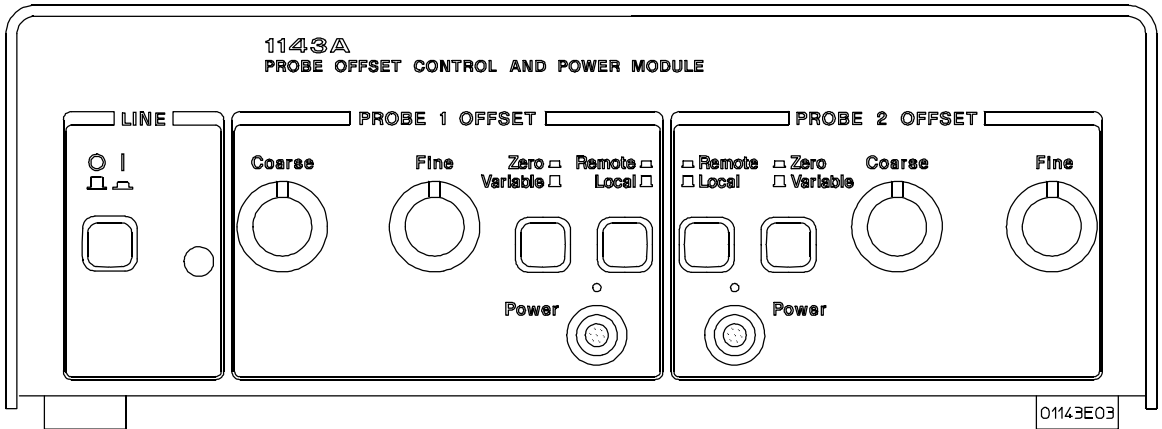
---

## To inspect the power module

- Inspect the shipping container for damage.  
Keep a damaged shipping container or cushioning material until the contents of the shipment have been checked for completeness and the instrument has been checked mechanically and electrically.
- Check the accessories.  
Accessories supplied are listed in the introduction of this manual, page 2.
  - If the contents are incomplete or damaged notify your Agilent Technologies sales office.
- Inspect the instrument.
  - If there is mechanical damage or defect, or if the instrument does not operate properly or pass performance tests, notify your Agilent Technologies sales office.
  - If the shipping container is damaged, or the cushioning materials show signs of stress, notify the carrier as well as your Agilent Technologies sales office. Keep the shipping materials for the carrier's inspection. The Agilent Technologies office will arrange for repair or replacement at Agilent Technologies' option without waiting for claim settlement.

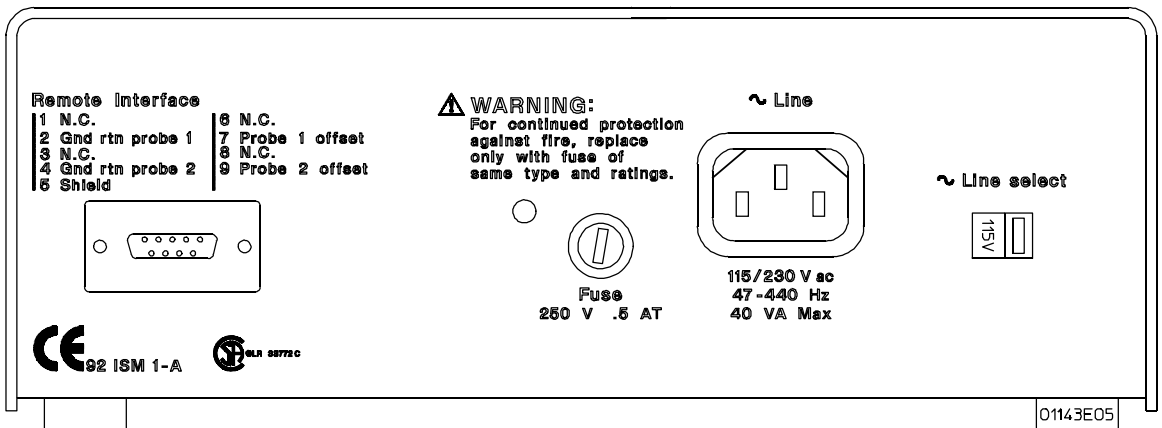
# Operating the Power Module To inspect the power module

Figure 1



1143A Probe Offset Control and Power Module Front Panel

Figure 2



1143A Probe Offset Control and Power Module Rear Panel

---

## To check power requirements

The power module requires a power source of either 90 to 132/198 to 264 Vac, 47 to 440 Hz, 40 VA maximum.

---

### CAUTION

**BEFORE CONNECTING POWER TO THIS INSTRUMENT**, be sure the line voltage switch on the rear panel of the instrument is set properly. Applying a voltage excessive to the setting may open the protective fuse.



For size, type, and part number of the fuse, see the parts list in chapter 2, "Service."

---

## To set the line voltage selection

Before applying power, verify the setting of the LINE SELECT switch on the rear panel.

- If the switch is set incorrectly, set it to either 115 V or 230 V, whichever is appropriate for the voltage in your area.

The fuse used is the same regardless of input voltage selection.

---

### WARNING

**SHOCK HAZARD!**

**BEFORE YOU CONNECT THIS INSTRUMENT TO MAINS POWER OR LIVE MEASURING CIRCUITS** you must provide a protective earth ground.

The Mains plug must be inserted in a socket outlet provided with a protective earth contact.

Do not use an extension cord (power cable) without a protective conductor (grounding). Grounding one conductor of a two-conductor outlet does not provide an instrument ground.

Failure to provide a protective earth ground could result in a shock hazard if there is a failure in this instrument or equipment connected to it.

This instrument is provided with a three-wire power cable. When connected to an appropriate ac power outlet, this cable grounds the instrument cabinet. The type of power cable plug shipped with the instrument depends on the country of destination.

## **To set up the power module**

The following paragraphs cover system preparation using the 1143A Probe Offset Control and Power Module.

- 1 Set the line voltage selection.**
- 2 Use the power cable to connect the power module to the ac mains.**
- 3 Connect the probe power cable to a Power connector on the front panel of the power module.**

Red dots on the cable connector housing and power module are aligned with the connector keys. Align the dots when inserting the cable connector into the power connector.

---

### **CAUTION**

---

The probe power cable connector automatically locks in the mating power connector. To separate the connectors, you must pull on the knurled part of the cable connector housing. This releases the lock. If you pull on the cable, the connectors won't release and you may damage the connector or cable.

- 4 Connect the output of the probe to the input of the oscilloscope or other instrument.**

### **See Also**

The User and Service Guide for the active probe being used.

## To use local offset

This section defines the operating functions of the 1143A Probe Offset Control and Power Module. Set the controls that correspond to the Power connector being used.

- 1 Turn on the power for the module.**
- 2 Set the appropriate Remote/Local switch.**
  - To control the probe offset voltage with the power module, set the switch to Local.
  - To control the probe offset voltage remotely, set the switch to Remote and go to "Remote Offset Input" on the next page.
- 3 With Local control, set the appropriate Zero/Variable switch.**
  - To enable the local offset control, set the switch to Variable.
  - To disable the local offset control, set the switch to Zero.
- 4 Connect the probe to the signal to be measured.**
- 5 If you are using Variable offset, adjust the Coarse and Fine offset controls so the desired part of the signal is displayed on the oscilloscope.**

When the knobs are turned clockwise, the output of the probe goes positive. For example, when using the probe with an oscilloscope, when the trace moves up, the horizontal center line of the screen represents a more negative voltage. This represents a negative offset.

If you intend to use the probe with an instrument other than an oscilloscope, you may find it easier to set up the probe with an oscilloscope first. This allows you to set the probe offset so the output of the probe is compatible with the signal requirements of the other instrument. After set-up, connect the output of the probe to the input of the other instrument.

---

## Remote Offset Input

For automatic test applications, the offset provided by the 1143A Probe Offset Control and Power Module can be remotely controlled through a connector on the rear panel of the module.

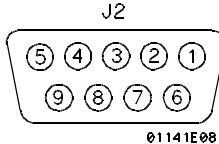
### Remote Connection

The remote connection is through a standard 9-pin, female, D-subminiature connector. This style is the same as that used on some personal computer monitor cables, which provides an economical way to connect the remote input to the controller interface on an automatic test system. The following table gives the connections.

Table 1

---

**Remote Input Connections**

Pin	Function	Connector
1	N.C.	
2	Probe 1 offset common	
3	N.C.	
4	Probe 2 offset common	
5	Shield	
6	N.C.	
7	Probe 1 offset	
8	N.C.	
9	Probe 2 offset	

### Operating Range

The remote variable offset can be used when the Local/Remote function is set to Remote. The remote inputs for the two probe connectors are separate. The following conditions apply:

- The remote offset input range is  $-10$  to  $+10$  Vdc. This provides a current of  $-5$  to  $+5$  mAdc at the probe connector. With the 54701A Active Probe, this provides an offset of  $-57.5$  to  $+57.5$  Vdc referenced to the probe tip.
- A positive, remote voltage input provides a negative offset in the probe. The output of the probe goes positive. A negative, remote voltage input

provides a positive offset in the probe. The output of the probe goes negative.

- The offset voltage must be referenced to the appropriate (Probe 1 or Probe 2) offset common of the remote input connector.
- To eliminate offset when using remote, the remote offset input must be set to 0.0 V, disconnected, or grounded.

To minimize dc offset errors and potential noise coupling caused by ground loops, electrically isolate all connections between the remote input connector and the controlling system.





General Information	20
Performance Characteristics	20
Operating Characteristics	20
General Characteristics	21
Recommended Test Equipment	23
Service Strategy	23
To clean the instrument	23
To return the instrument to Agilent Technologies for service	24
Testing Performance	25
Test Interval	25
Equipment Required	25
To test output voltages	26
Making Adjustments	27
Safety	27
Adjustment Interval	27
Equipment Required	27
To prepare the equipment	29
To adjust power supply voltages	29
To adjust power supply current limits	30
To adjust offset zero	31
Troubleshooting and Repair	32
To troubleshoot the power supplies	32
To troubleshoot the offset circuitry	33
To disassemble the instrument	34
Replaceable Parts	35
Theory of Operation	44
Schematic Diagrams	47



---

# Introduction

This chapter provides service information for the 1143A Probe Offset Control and Power Module. The following topics are included in this chapter:

- Specifications and Characteristics
- Recommended Test Equipment
- Repair Strategy
- Returning to Agilent Technologies for Service
- Testing Performance
- Making Adjustments
- Troubleshooting
- Replacing Parts
- Theory of Operation
- Schematics

---

# General Information

This section covers general information to be used for servicing the 1143A Probe Offset Control and Power Module.

---

## Performance Characteristics

The following are the performance characteristics for the 1143A. These characteristics are nominal and non-warranted.

Table 2

---

### Performance Characteristics

---

<b>Supply Output Voltage</b>	+17.3 Vdc $\pm$ 500 mV -17.3 Vdc $\pm$ 500 mV
<b>Supply Current</b> (for each supply)	300 mA
<b>Offset Current</b> (for each probe)	Variable from 0 to $\pm$ 5 mA

---

## Operating Characteristics

The following are the operating characteristics for the 1143A.

Table 3

---

### Operating Characteristics

---

<b>Number of probes operated</b>	2
<b>Controls</b> (for each probe)	Remote/Local Zero/Variable offset Coarse and Fine offset
<b>Remote Offset Input</b> (for each probe)	$\pm$ 10 V for $\pm$ 5 mA offset current

---

## General Characteristics

The following general characteristics apply to the 1143A.

Table 4

### General Characteristics

#### Environmental Conditions

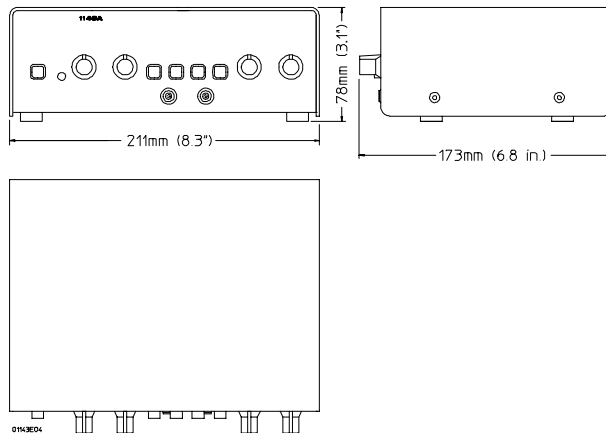
	Operating	Non-operating
<b>Temperature</b>	0 °C to +55 °C (32 °F to +131 °F)	-40 °C to +70 °C (-40 °F to +158 °F)
<b>Humidity</b>	up to 95% relative humidity (non-condensing) at +40 °C (+104 °F)	up to 90% relative humidity at +65 °C (+149 °F)
<b>Altitude</b>	up to 4,600 meters (15,000 ft)	up to 15,300 meters (50,000 ft)
<b>Vibration</b>	Random vibration 5 to 500 Hz, 10 minutes per axis, 0.3 g <sub>rms</sub>	Random vibration 5 to 500 Hz, 10 min. per axis, 2.41 g <sub>rms</sub> . Resonant search 5 to 500 Hz swept sine, 1 octave/min. sweep rate, (0.75g), 5 min. resonant dwell at 4 resonances per axis.

**Power Requirements** 90 to 132/198 to 264 Vac, 47 to 440 Hz; 40 VA maximum

**Weight** Net: approximately 1.5 kg (3.4 lb)  
Shipping: approximately 2.4 kg (5.4 lb)

**Dimensions** Refer to the figure below. Dimensions are in millimeters and inches.

Figure 3



#### Mechanical Dimensions

Service  
**General Information**

---

**Product Regulations**

**Safety** IEC 348  
UL 1244  
CSA-C22.2 No.231 (Series M-89)

**EMC** This product meets the requirement of the European Communities (EC)  
EMC Directive 89/336/EEC.

**Emissions** EN55011/CISPR 11 (ISM, Group 1, Class A equipment)  
SABS RAA Act No. 24 (1990)

<b>Immunity</b>		Code <sup>1</sup>	Notes <sup>2</sup>
	EN50082-1		
	IEC 801-2 (ESD) 8kV AD	1	
	IEC 801-3 (Rad.) 3 V/m	1	
	IEC 801-4 (EFT) 1kV	1	

<sup>1</sup> Performance Codes:

1 PASS - Normal operation, no effect.

2 PASS - Temporary degradation, self recoverable.

3 PASS - Temporary degradation, operator intervention required.

4 FAIL - Not recoverable, component damage.

<sup>2</sup> Notes:

(None)

---

---

## Recommended Test Equipment

The following table is a list of the test equipment required to service this instrument. The table indicates the critical specification of the test equipment and for which procedure the equipment is necessary. Equipment other than the recommended model may be used if it satisfies the critical specification listed in the table.

Table 5

---

**Recommended Test Equipment**

---

Equipment Required	Critical Specifications	Recommended Model/Part	Use
DVM	Accuracy, $\pm 0.1\%$	3457A	P,A,T
Resistor	511 $\Omega$ , 0.5 W, 1%	0757-0814	A
Resistor	50 $\Omega$ , 10 W, 1%	0811-3707	A

P = Performance Tests, A = Adjustments, T = Troubleshooting

---

## Service Strategy

The 1143A Probe Offset Control and Power Module consists of simple power supplies and op-amp variable current sources. Circuitry is simple and components are available off the shelf, so the service strategy is component-level repair. The troubleshooting, parts lists, theory of operation, and schematics support this repair level.

---

## To clean the instrument

Use mild soap and water to clean the instrument. Harsh soaps will damage the water-based paint finish of the instrument.

## **To return the instrument to Agilent Technologies for service**

Before shipping the instrument to Agilent Technologies, contact your nearest Agilent Technologies sales office for additional details.

**1 Write the following information on a tag and attach it to the instrument.**

- Name and address of owner
- Instrument model number
- Instrument serial number
- Description of the service required or failure indications

**2 Remove all accessories from the instrument.**

Accessories include all cables. Do not include accessories unless they are associated with the failure symptoms.

**3 Protect the instrument by wrapping it in plastic or heavy paper.**

**4 Pack the instrument in foam or other shock absorbing material and place it in a strong shipping container.**

You can use the original shipping materials or order materials from an Agilent Technologies sales office. If neither are available, place 3 to 4 inches of shock-absorbing material around the instrument and place it in a box that does not allow movement during shipping.

**5 Seal the shipping container securely.**

**6 Mark the shipping container as FRAGILE.**

In any correspondence, refer to instrument by model number and full serial number.



---

# Testing Performance

The procedure in this section checks the probe power output voltage using the value given in "Performance Characteristics" in this chapter as a standard.

## **Test Interval**

This procedure may be performed for incoming inspection of the instrument and should be performed periodically thereafter to ensure and maintain peak performance. The recommended test interval is yearly or every 2,000 hours of operation. Amount of use, environmental conditions, and the user's experience concerning need for testing will contribute to verification requirements.

The adjustment interval is covered in the "Making Adjustments" section.

## **Equipment Required**

A complete list of equipment required for maintenance is the Recommended Test Equipment table in this chapter. The equipment required for this test is listed in the test. Any equipment satisfying the critical specifications listed may be substituted for the recommended model.

---

## To test output voltages

This test checks the output voltages of the supply. The voltage requirement is not a specification, but is checked to assure proper operation of the probes.

Requirement: +17.3 Vdc  $\pm$ 500 mV and -17.3 Vdc  $\pm$ 500 mV

---

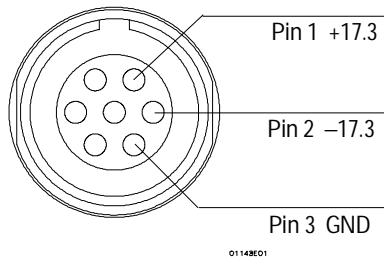
### Equipment Required

---

Equipment	Critical Specification	Recommended Model/Part
Digital Multimeter	Better than 0.1% accuracy	3458A

Use the drawing below to locate the correct pins of the probe power connectors. Either connector can be measured to check the voltage accuracy. Both can be measured to assure both connectors have power.

Figure 4



### Probe Power Output Connector

- 1 Connect the mains power to the power module and turn the front-panel power switch on.
- 2 Measure the voltage between ground and pin 1 of the connector. It should be +17.3 Vdc,  $\pm$ 500 mV.
- 3 Measure the voltage between ground and pin 2 of the connector. It should be -17.3 Vdc,  $\pm$ 500 mV.

#### **If the test fails**

The supplies may need adjustment. Go to the "Making Adjustments" section in this chapter.

---

# Making Adjustments

This section provides adjustment procedures for the 1143A Probe Offset Control and Power Module.

## **Safety**

Read the Safety Summary at the front of this manual before servicing the instrument. Before performing any procedure, review it for cautions and warnings.

---

### **WARNING**

When power is applied there are dangerous voltages present in this equipment. Maintenance should be performed by trained service personnel. When maintenance can be performed without power applied, the power cord must be removed from the instrument. Maintenance by persons unaware of the hazards involved (for example, fire and electric shock) can result in injury or death.

---

## **Adjustment Interval**

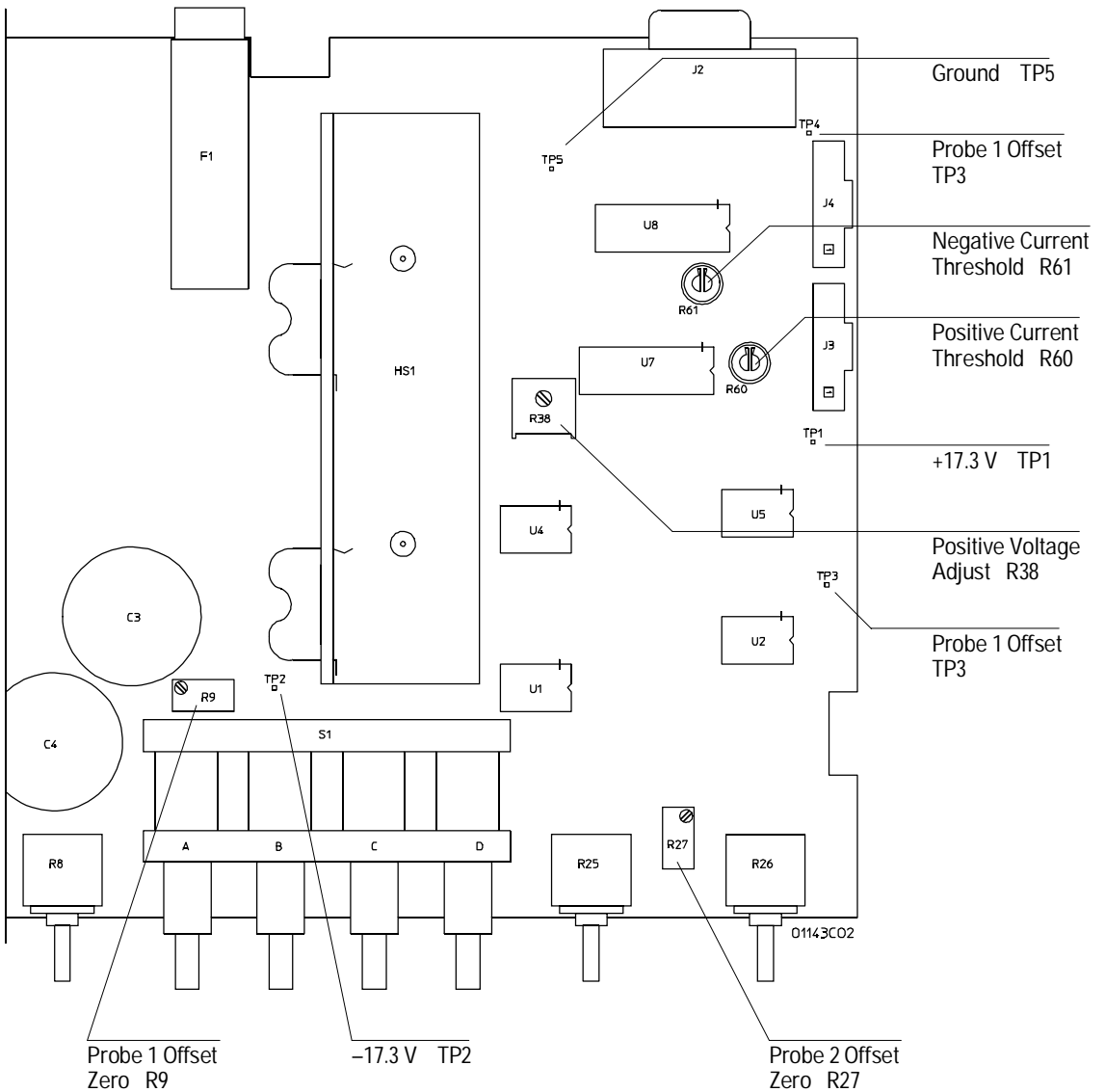
There is no recommended adjustment interval for the power module. These adjustments are considered factory adjustments and do not require periodic maintenance. Make adjustments only when directed by other service procedures. Defining an adjustment interval will depend on the user's experience.

## **Equipment Required**

The equipment required for all maintenance is listed in the Recommended Test Equipment table in this chapter. Equipment for individual procedures is listed at the procedure. Any equipment that satisfies the critical specification listed in the table may be substituted for the recommended model.

Service  
**Making Adjustments**

**Figure 5**



**1143A Adjustment Locations**

---

## To prepare the equipment

- 1 Turn off the front-panel power switch and remove the power cord.

---

### WARNING

When power is applied there are hazardous voltages inside the instrument. Observe reasonable safety precautions in order to avoid injury or death.

- 2 Disconnect any probes from the front panel.
- 3 With a T10 Torx driver, remove 4 flathead screws and remove the top chassis.
- 4 Check that the rear-panel line select switch is set for the correct line voltage.
- 5 Connect the input power and turn on the front panel power switch.

---

## To adjust power supply voltages

This procedure adjusts the power supply voltages. The adjustment adjusts the +17.3 V supply directly. The -17.3 V supply tracks the +17.3 V supply.

---

### Equipment Required

Equipment	Critical Specification	Recommended Model/Part
Digital Multimeter	Better than 0.1% accuracy	3458A

Make sure there is no load on the supplies.

Use the adjustment locator on the previous page to find the test points and adjustments.

- 1 Connect the DVM between TP5 (ground) and TP1 (+17.3V).
- 2 Adjust R38 (Positive Voltage Adjust) for a reading of 17.3V  $\pm$ 50 mV.
- 3 Connect the DVM between TP5 (ground) and TP2 (-17.3V).
- 4 Check for a reading of -17.3V  $\pm$ 150 mV.

If the supplies cannot be adjusted into tolerance, go to the "Troubleshooting and Repair" section of this chapter.

---

## To adjust power supply current limits

This procedure sets the current limit of the supplies to approximately 330 mA for each supply.

---

### Equipment Required

---

Equipment	Critical Specification	Recommended Model/Part
Digital Multimeter	Better than 0.1% accuracy	3458A
Resistor	50 $\Omega$ , 10 W, 1%	0811-3707

Use the adjustment locator on page 28 to find the test points and adjustments.

- 1 Connect the DVM between TP5 (ground) and TP1 (+17.3V).
- 2 Connect the 50- $\Omega$  resistor between TP5 and TP1.
- 3 Adjust R60 (Positive Current Threshold) for a reading of +16.7V  $\pm$ 300 mV.
- 4 Connect the DVM between TP5 (ground) and TP2 (-17.3V).
- 5 Disconnect the 50- $\Omega$  resistor from TP1 and connect it to TP2 (between TP5 and TP2).
- 6 Adjust R61 (Negative Current Threshold) for a reading of -16.7V  $\pm$ 300 mV (-16.4 to -17.0 V).

If the supplies cannot be adjusted into tolerance, go to the "Troubleshooting and Repair" section of this chapter.

---

## To adjust offset zero

This procedure adjusts the probe offset drive current to zero when the offset is turned off.

---

### Equipment Required

Equipment	Critical Specification	Recommended Model/Part
Digital Multimeter	Better than 0.1% accuracy	3458A
Resistor	511 $\Omega$ , 0.5 W, 1%	0757-0814

Use the adjustment locator on page 28 to find the test points and adjustments. Do not make this adjustment while using a probe as a load on the offset circuit. It will give the wrong result.

- 1** Set the front-panel Probe 1 and Probe 2 offset controls for Zero and Local.
- 2** Connect the DVM between TP5 (ground) and TP3 (Probe 1 Offset).
- 3** Connect the 511- $\Omega$  resistor between TP5 and TP3.
- 4** Adjust R9 (Probe 1 Offset Zero) for a reading of  $0.0V \pm 100 \mu V$ .
- 5** Connect the DVM between TP5 (ground) and TP4 (Probe 2 Offset).
- 6** Disconnect the 511- $\Omega$  resistor from TP3 and connect it to TP4 (between TP5 and TP4).
- 7** Adjust R27 (Probe 2 Offset Zero) for a reading of  $0.0V \pm 100 \mu V$ .

If the offset zero cannot be adjusted into tolerance, go to the "Troubleshooting and Repair" section of this chapter.

---

# Troubleshooting and Repair

This section provides troubleshooting and repair techniques and information. Read the Safety Summary at the front of this manual before servicing the instrument. Before performing any procedure, review it for cautions and warnings.

---

## WARNING

When power is applied there are dangerous voltages present in this equipment. Maintenance should be performed by trained service personnel. When maintenance can be performed without power applied, the power cord must be removed from the instrument. Maintenance by persons unaware of the hazards involved (for example, fire and electric shock) can result in injury or death.

---

---

## To troubleshoot the power supplies

The circuitry consists of simple power supplies. Use conventional troubleshooting techniques. A complete parts list, component locator, and schematics are provided later in this chapter.

Following are some things to check first, given certain failure symptoms. This is not a comprehensive troubleshooting guide.

### **The +17.3 supply won't adjust into tolerance**

- Make sure the supply is not loaded into current limit.
- Check the +1.5 V reference of the +17.3 V regulator.
- Check the values of parts in the voltage divider stick that includes the adjustment potentiometer (R37–R39).



**The -17.3 supply is out of tolerance**

- Make sure the +17.3 V supply is in tolerance.
- Make sure the supply is not loaded into current limit.
- Check the values of parts in the voltage divider sticks that feed the error amplifier of the -17.3 V regulator (R47-R51).

**There is a current limit problem**

- Check that the supply is not loaded into current limit.
- Check the values of parts in the current sense circuit, particularly the current sense resistors (R42 and R53).

---

## To troubleshoot the offset circuitry

The offset circuitry is essentially a string of op-amps and you can use conventional signal tracing techniques. A complete parts list, component locator, and schematics are provided later in this chapter.

**1 Load the appropriate offset output circuit with a 511- $\Omega$  resistor.**

For probe 1 connect the resistor between TP5 and TP3, and for probe 2 connect it between TP5 and TP4.

**2 Measure the offset output voltage (TP3 for probe 1 or TP4 for probe 2).**

- With the controls set to Local and Zero, the voltage should be adjustable (R9 probe 1, R29 probe 2) to 0.0 Vdc  $\pm$ 100  $\mu$ V.
- With the controls set to Local and Variable, the voltage should be variable by the front panel controls greater than  $\pm$ 2.58 Vdc.

The offset output is a  $\pm$ 5 mA current. Into a 511- $\Omega$  resistor the nominal voltage swing should be  $\pm$ 2.58 Vdc but it depends on the value of the resistor. For the most accurate test, measure the offset current swing directly.

## To disassemble the instrument

Use the following procedure to disassemble the 1143A Probe Offset Control and Power Module.

---

**WARNING**

---

Hazardous voltages exist on the power module. Failure to adhere closely to the following procedures can cause electrical shock.

- 1 Remove the power cord.
- 2 Remove four flathead screws and remove the top cover.

---

**WARNING**

---

Be sure to reconnect the safety ground when reassembling the instrument. Failure to reconnect the safety ground can result in electrical shock.

- 3 Unplug the safety ground from the tab on the rear panel of the instrument.
- 4 At the PC board, disconnect the cables that connect the front panel probe power outputs.
- 5 Note the orientation of the knobs. Remove the four knobs.
- 6 On the bottom of the instrument, remove the 5 mm screw that fastens the transformer support.
- 7 Remove the following pan-head screws.
  - Three directly on the PC board.
  - Two on the ac input connector.
  - Two on the heatsink.
- 8 Remove the PC board. Slide it slightly forward so parts will clear the rear panel, then lift the rear of the board out while sliding it backwards.
- 9 Remove the two heatsink spacers from the standoffs that were directly under the heatsink.
- 10 Reverse the procedure to reassemble the power module.

## Replaceable Parts

This section contains information for ordering parts. Service support for the 1143A Probe Offset Control and Power Module is to the component level.

### Parts Lists

Table 6, page 37, is an instrument-level parts list. Table 7, page 38, is a parts list for the PC assembly (A1) in the power module. The information given for each part consists of the following:

- Reference designator.
- Agilent Technologies part number.
- Part number Check Digit (CD).
- Total quantity (Qty) in instrument or on assembly. The total quantity is given once and at the first appearance of the part number in the list.
- Description of the part.
- Typical manufacturer of part in an identifying five-digit code.
- Manufacturer's part number.

### Manufacturers' Codes

A list of manufacturers' codes is given in table 8, page 42. The codes are given for parts in the parts lists. The table gives the manufacturer and address for each code.

### Component Locator

A component locator for the power and control assembly A1 is shown in figure 6, page 43. Table 9, page 42, references the parts on the assembly to a grid location on the drawing.

### Ordering Information

To order a part in the material list, quote the Agilent Technologies part number, indicate the quantity desired, and address the order to the nearest Agilent Technologies sales office.

To order a part not listed in the material list, include the instrument part number, instrument serial number, a description of the part (including its function) and the number of parts required. Address the order to the nearest Agilent Technologies Service Center.

### **Direct Mail Order System**

Within the USA, Agilent Technologies can supply parts through a direct mail order system. There are several advantages to this system:

- Direct ordering and shipment from the Agilent Technologies parts center in California, USA.
- No maximum or minimum on any mail order (there is a minimum amount for parts ordered through a local Agilent Technologies Sales Office when the orders require billing and invoicing).
- Prepaid transportation (there is a small handling charge for each order).
- No invoices.

In order for Agilent Technologies to provide these advantages, please send a check or money order with each order.

Mail order forms and specific ordering information are available through your local Agilent Technologies office. Addresses and telephone numbers are located in a separate document shipped with the manuals.

**Table 6**

**1143A Replaceable Parts**

Ref. Des.	Part Number	CD	Qty	Description	Mfr. Code	Mfr. Part Number
A1	01143-66501	4	1	PC ASSEMBLY-POWER AND CONTROL	28480	01143-66501
H1	0515-0374	4	7	SCREW-MACHINE M3 10MM-LG (PC board mounting)	00000	ORDER BY DESCR.
H2	0515-1031	2	4	SCREW-MACH M3 6MM-LG 90-DEG-FLH-HD (cover mounting)	00000	ORDER BY DESCR.
H3	0515-1579	3	1	SCREW-MACHINE M5 18MM-LG (transformer support mounting)	00000	ORDER BY DESCR.
F1	2110-0202	1	1	FUSE 0.5A 250V TIME DELAY (part of A1)	75915	313.500
MP1	01143-00602	8	1	BOTTOM CHASSIS	28480	01143-00602
MP2	01143-00601	7	1	TOP CHASSIS	28480	01143-00601
MP3	01142-24701	7	2	SPACER-HEAT SINK	28480	01142-24701
MP4	0370-1097	2	4	KNOB-POINTER	28480	0370-1097
MP5	0403-0727	4	4	FOOT	28480	0403-0727
MP6	5041-0234	5	4	KEYCAP-FUNCTION SELECT	28480	5041-0234
MP7	5041-0531	5	1	KEYCAP-POWER	28480	5041-0531
W1	8120-1521	6	1	POWER CORD 18-AWG 3-COND 90-IN-LG	28480	8120-1521
W2	01143-61601	5	2	CABLE- PROBE POWER	28480	01143-61601
Power cord options						
W1	8120-1703	6	1	CABLE-POWER (Option 900-UK)	28480	8120-1703
W1	8120-0696	4	1	CABLE-POWER (Option 901-AUSTL)	28480	8120-0696
W1	8120-1692	2	1	CABLE-POWER (Option 902-EUR)	28480	8120-1692
W1	8120-0698	6	1	CABLE-POWER (Option 904-250V USA/CANADA)	28480	8120-0698
W1	8120-2296	4	1	CABLE-POWER (Option 906-SWIT)	28480	8120-2296
W1	8120-2957	4	1	CABLE-POWER (Option 912-DEN)	28480	8120-2957
W1	8120-4600	8	1	CABLE-POWER (Option 917-AFRICA)	28480	8120-4600
W1	8120-4754	3	1	CABLE-POWER (Option 918-JAPAN)	28480	8120-4754

Service  
**Troubleshooting and Repair**

**Table 7**

**Power and Control Assembly Replaceable Parts**

Ref. Des.	Part Number	CD	Qty	Description	Mfr. Code	Mfr. Part Number
Prefix the reference designators with A1						
C1	0160-5578	7	4	CAPACITOR-FXD 0.022UF ±10% 63VDC	28480	0160-5578
C2	0160-5578	7		CAPACITOR-FXD 0.022UF ±10% 63VDC	28480	0160-5578
C3	0180-3298	6	2	CAPACITOR-FXD 2200UF+30-10% 50VDC AL	28480	0180-3298
C4	0180-3298	6		CAPACITOR-FXD 2200UF+30-10% 50VDC AL	28480	0180-3298
C5	0160-5578	7		CAPACITOR-FXD 0.022UF ±10% 63VDC	28480	0160-5578
C6	0160-5931	6	2	CAPACITOR-FXD 0.22UF ±10% 50VDC	28480	0160-5931
C7	0160-5469	5	2	CAPACITOR-FXD 1UF ±10% 50VDC MET-POLYE	28480	0160-5469
C8	0160-6500	7	10	CAPACITOR-FXD 0.01UF ±10% 100VDC CER	28480	0160-6500
C9	0160-5931	6		CAPACITOR-FXD 0.22UF ±10% 50VDC	28480	0160-5931
C10	0160-4835	7	1	CAPACITOR-FXD 0.1UF ±10% 50VDC CER	28480	0160-4835
C11	0160-5578	7		CAPACITOR-FXD 0.022UF ±10% 63VDC	28480	0160-5578
C12	0180-3831	3	2	CAPACITOR-FXD 10UF±10% 35VDC TA	28480	0180-3831
C13	0180-3831	3		CAPACITOR-FXD 10UF±10% 35VDC TA	28480	0180-3831
C14	0160-6500	7		CAPACITOR-FXD 0.01UF ±10% 100VDC CER	28480	0160-6500
C15	0160-6500	7		CAPACITOR-FXD 0.01UF ±10% 100VDC CER	28480	0160-6500
C16	0160-6500	7		CAPACITOR-FXD 0.01UF ±10% 100VDC CER	28480	0160-6500
C17	0160-6500	7		CAPACITOR-FXD 0.01UF ±10% 100VDC CER	28480	0160-6500
C18	0160-6500	7		CAPACITOR-FXD 0.01UF ±10% 100VDC CER	28480	0160-6500
C19	0160-6500	7		CAPACITOR-FXD 0.01UF ±10% 100VDC CER	28480	0160-6500
C20	0160-6500	7		CAPACITOR-FXD 0.01UF ±10% 100VDC CER	28480	0160-6500
C21	0160-6500	7		CAPACITOR-FXD 0.01UF ±10% 100VDC CER	28480	0160-6500
C22	0160-5471	9	2	CAPACITOR-FXD 0.1UF ±5% 50VDC MET-POLYE	28480	0160-5471
C23	0160-5471	9		CAPACITOR-FXD 0.1UF ±5% 50VDC MET-POLYE	28480	0160-5471
C24-25				NOT ASSIGNED		
C26	0160-5469	5		CAPACITOR-FXD 1UF ±10% 50VDC MET-POLYE	28480	0160-5469
C27	0160-6500	7		CAPACITOR-FXD 0.01UF ±10% 100VDC CER	28480	0160-6500
CR1	1901-1087	8	2	DIODE-PWR RECT 600V 3A 200NS	04713	MR856
CR2	1901-1087	8		DIODE-PWR RECT 600V 3A 200NS	04713	MR856
CR3	1901-1098	1	1	DIODE-SWITCHING 1N4150 50V 200MA 4NS	9N171	1N4150
DS1	1990-0521	0	1	LED-LAMP GREEN LUM-INT=2.2MCD IF=50MA-MAX	28480	5082-4955
E1	2110-0642	3	1	FUSEHOLDER 6.3A 250 V	28480	2110-0642
E2	2110-0565	9	1	FUSEHOLDER CAP	28480	2110-0565
F1	2110-0202	1	1	FUSE 0.5A 250V TIME DELAY	75915	313.500

Table 7 (cont.)

**Power and Control Assembly Replaceable Parts**

Ref. Des.	Part Number	CD	Qty	Description	Mfr. Code	Mfr. Part Number
H1	0515-1579	3	1	SCREW-MACHINE ASSEMBLY M5 X 0.8 18MM-LG	28480	0515-1579
HS1	01142-21101	5	1	HEAT SINK	28480	01142-21101
J1	1251-4743	0	1	CONNECTOR-AC PWR MALE	28480	1251-4743
J2	1252-1487	5	1	CONN-RECT D-SUBMIN 9-CONT (remote)	28480	1252-1487
J3	1252-4418	8	2	CONNECTOR-HEADER 7-PIN	28480	1252-4418
J4	1252-4418	8		CONNECTOR-HEADER 7-PIN	28480	1252-4418
MP1	1400-1604	3	1	SPACER-LED MOUNT	28480	1400-1604
MP2	01142-24702	8	1	TRANSFORMER SUPPORT	28480	01142-24702
MP3	01142-28801	6	1	WASHER-TRANSFORMER SUPPORT	28480	01142-28801
MP4	1205-0732	2	2	SPRING CLIP	28480	1205-0732
MP5	0361-0685	3	3	RIVET-BLIND DR-PIN RNDH 0.125DIA	28480	0361-0685
MP6	0340-1211	9	2	INSULATOR-THERMAL	28480	0340-1211
MP7	1400-0249	0	1	CABLE TIE 0.062-0.625-DIA 0.091-WD NYL	16956	08-465/GRAY
Q1	1853-0431	1	1	TRANSISTOR PNP SI PD=65W	01295	TIP42C
Q2	1854-0456	2	1	TRANSISTOR NPN SI PD=65W FT=3MHZ	01295	TIP41A
Q3	1853-0036	2	2	TRANSISTOR PNP SI PD=310MW FT=250MHZ	27014	2N3906
Q4	1853-0036	2		TRANSISTOR PNP SI PD=310MW FT=250MHZ	27014	2N3906
R1	0698-3161	9	2	RESISTOR 38.3K 1% 0.125W TF TC=0±100	24546	CT4-1/8-T0-3832-F
R2	0698-3271	2	2	RESISTOR 115K 1% 0.125W TF TC=0±100	24546	CT4-1/8-T0-1153-F
R3	0698-4517	1	2	RESISTOR 127K 1% 0.125W TF TC=0±100	24546	CT4-1/8-T0-1273-F
R4	0757-0458	7	2	RESISTOR 51.1K 1% 0.125W TF TC=0±100	24546	CT4-1/8-T0-5112-F
R5	0699-1301	7	2	RESISTOR 4.7M 5% 0.25W CF TC=0-900	28480	0699-1301
R6	0698-8961	7	2	RESISTOR 909K 1% 0.125W TF TC=0±100	28480	0698-8961
R7	2100-4250	6	4	RESISTOR-VARIABLE 10K 20%	28480	2100-4250
R8	2100-4250	6		RESISTOR-VARIABLE 10K 20%	28480	2100-4250
R9	2100-3659	7	2	RESISTOR-TRMR 20K 10% TKF TOP-ADJ 17-TRN	28480	2100-3659
R10	0757-0199	3	2	RESISTOR 21.5K 1% 0.125W TF TC=0±100	24546	CT4-1/8-T0-2152-F
R11	0757-0280	3	3	RESISTOR 1K 1% 0.125W TF TC=0±100	24546	CT4-1/8-T0-1001-F
R12	0698-8827	4	4	RESISTOR 1M 1% 0.125W TF TC=0±100	28480	0698-8827
R13	0757-0442	9	5	RESISTOR 10K 1% 0.125W TF TC=0±100	24546	CT4-1/8-T0-1002-F
R14	0698-6322	0	4	RESISTOR 4K 0.1% 0.125W TF TC=0±25	28480	0698-6322
R15	0698-6322	0		RESISTOR 4K 0.1% 0.125W TF TC=0±25	28480	0698-6322
R16	0698-6362	8	4	RESISTOR 1K 0.1% 0.125W TF TC=0±25	28480	0698-6362

Service  
Troubleshooting and Repair

Table 7 (cont.)

Power and Control Assembly Replaceable Parts

Ref. Des.	Part Number	CD	Qty	Description	Mfr. Code	Mfr. Part Number
R17	0698-6362	8		RESISTOR 1K 0.1% 0.125W TF TC=0±25	28480	0698-6362
R18	0698-6624	5	2	RESISTOR 2K 0.1% 0.125W TF TC=0±25	28480	0698-6624
R19	0698-3161	9		RESISTOR 38.3K 1% 0.125W TF TC=0±100	24546	CT4-1/8-T0-3832-F
R20	0698-3271	2		RESISTOR 115K 1% 0.125W TF TC=0±100	24546	CT4-1/8-T0-1153-F
R21	0698-4517	1		RESISTOR 127K 1% 0.125W TF TC=0±100	24546	CT4-1/8-T0-1273-F
R22	0757-0458	7		RESISTOR 51.1K 1% 0.125W TF TC=0±100	24546	CT4-1/8-T0-5112-F
R23	0699-1301	7		RESISTOR 4.7M 5% 0.25W CF TC=0-900	28480	0699-1301
R24	0698-8961	7		RESISTOR 909K 1% 0.125W TF TC=0±100	28480	0698-8961
R25	2100-4250	6		RESISTOR-VARIABLE 10K 20%	28480	2100-4250
R26	2100-4250	6		RESISTOR-VARIABLE 10K 20%	28480	2100-4250
R27	2100-3659	7		RESISTOR-TRMR 20K 10% TKF TOP-ADJ 17-TRN	28480	2100-3659
R28	0757-0199	3		RESISTOR 21.5K 1% 0.125W TF TC=0±100	24546	CT4-1/8-T0-2152-F
R29	0757-0280	3		RESISTOR 1K 1% 0.125W TF TC=0±100	24546	CT4-1/8-T0-1001-F
R30	0698-8827	4		RESISTOR 1M 1% 0.125W TF TC=0±100	28480	0698-8827
R31	0757-0442	9		RESISTOR 10K 1% 0.125W TF TC=0±100	24546	CT4-1/8-T0-1002-F
R32	0698-6322	0		RESISTOR 4K 0.1% 0.125W TF TC=0±25	28480	0698-6322
R33	0698-6322	0		RESISTOR 4K 0.1% 0.125W TF TC=0±25	28480	0698-6322
R34	0698-6362	8		RESISTOR 1K 0.1% 0.125W TF TC=0±25	28480	0698-6362
R35	0698-6362	8		RESISTOR 1K 0.1% 0.125W TF TC=0±25	28480	0698-6362
R36	0698-6624	5		RESISTOR 2K 0.1% 0.125W TF TC=0±25	28480	0698-6624
R37	0757-0288	1	1	RESISTOR 9.09K 1% 0.125W TF TC=0±100	19701	5033R-1/8-T0-9091-F
R38	2100-3211	7	1	RESISTOR-TRMR 1K 10% TKF TOP-ADJ 1-TRN	28480	2100-3211
R39	0757-0422	5	3	RESISTOR 909 1% 0.125W TF TC=0±100	24546	CT4-1/8-T0-909R-F
R40	0757-0422	5		RESISTOR 909 1% 0.125W TF TC=0±100	24546	CT4-1/8-T0-909R-F
R41	0757-0453	2	2	RESISTOR 30.1K 1% 0.125W TF TC=0±100	24546	CT4-1/8-T0-3012-F
R42	0699-2403	2	2	RESISTOR 0.33 5% 0.7W MO TC=0±200	28480	0699-2403
R43	0698-4413	6	4	RESISTOR 154 1% 0.125W TF TC=0±100	24546	CT4-1/8-T0-154R-F
R44	0757-0818	3	2	RESISTOR 825 1% 0.5W TF TC=0±100	28480	0757-0818
R45	0757-0442	9		RESISTOR 10K 1% 0.125W TF TC=0±100	24546	CT4-1/8-T0-1002-F
R46	0757-0818	3		RESISTOR 825 1% 0.5W TF TC=0±100	28480	0757-0818
R47	0698-6347	9	4	RESISTOR 1.5K 0.1% 0.125W TF TC=0±25	28480	0698-6347
R48	0698-6348	0	1	RESISTOR 3K 0.1% 0.125W TF TC=0±25	28480	0698-6348
R49	0698-6347	9		RESISTOR 1.5K 0.1% 0.125W TF TC=0±25	28480	0698-6347
R50	0698-6347	9		RESISTOR 1.5K 0.1% 0.125W TF TC=0±25	28480	0698-6347
R51	0698-6347	9		RESISTOR 1.5K 0.1% 0.125W TF TC=0±25	28480	0698-6347
R52	0698-4413	6		RESISTOR 154 1% 0.125W TF TC=0±100	24546	CT4-1/8-T0-154R-F



Table 7 (cont.)

**Power and Control Assembly Replaceable Parts**

Ref. Des.	Part Number	CD	Qty	Description	Mfr. Code	Mfr. Part Number
R53	0699-2403	2		RESISTOR 0.33 5% 0.7W MO TC=0±200	28480	0699-2403
R54	0698-4413	6		RESISTOR 154 1% 0.125W TF TC=0±100	24546	CT4-1/8-T0-154R-F
R55	0757-0453	2		RESISTOR 30.1K 1% 0.125W TF TC=0±100	24546	CT4-1/8-T0-3012-F
R56	0757-0422	5		RESISTOR 909 1% 0.125W TF TC=0±100	24546	CT4-1/8-T0-909R-F
R57	0757-0280	3		RESISTOR 1K 1% 0.125W TF TC=0±100	24546	CT4-1/8-T0-1001-F
R58	0698-4413	6		RESISTOR 154 1% 0.125W TF TC=0±100	24546	CT4-1/8-T0-154R-F
R59	0757-1078	9	1	RESISTOR 1.47K 1% 0.5W TF TC=0±100	28480	0757-1078
R60	2100-2497	9	2	RESISTOR-TRMR 2K 10% TKF TOP-ADJ 1-TRN	73138	82PR2K
R61	2100-2497	9		RESISTOR-TRMR 2K 10% TKF TOP-ADJ 1-TRN	73138	82PR2K
R62	0757-0442	9		RESISTOR 10K 1% 0.125W TF TC=0±100	24546	CT4-1/8-T0-1002-F
R63	0698-8827	4		RESISTOR 1M 1% 0.125W TF TC=0±100	28480	0698-8827
R64	0757-0442	9		RESISTOR 10K 1% 0.125W TF TC=0±100	24546	CT4-1/8-T0-1002-F
R65	0698-8827	4		RESISTOR 1M 1% 0.125W TF TC=0±100	28480	0698-8827
S1	3101-3132	4	1	SWITCH-4 STATION ASSEMBLY	28480	3103-3132
S2	3101-0555	9	1	SWITCH-PUSH BUTTON DPDT 4A 250 VAC	28480	3101-0555
S3	3101-2609	8	1	SWITCH-SLIDE DPDT 5A 250VAC PC	28480	3101-2609
T1	9100-4750	8	1	TRANSFORMER-POWER (with mounting hardware)	28480	9100-4750
TP1	0360-0535	0	5	TERMINAL-TEST POINT	28480	0360-0535
TP2	0360-0535	0		TERMINAL-TEST POINT	28480	0360-0535
TP3	0360-0535	0		TERMINAL-TEST POINT	28480	0360-0535
TP4	0360-0535	0		TERMINAL-TEST POINT	28480	0360-0535
TP5	0360-0535	0		TERMINAL-TEST POINT	28480	0360-0535
U1	1826-1992	4	2	IC OP AMP	06665	OP-200
U2	1826-1049	2	2	IC OP AMP PRCN 8-DIP-C PKG	06665	OP-27GZ
U3	1826-0774	8	2	IC V RGLTR-V-REF-FXD 1.22/1.24V TO-92	27014	LM385BZ-1.2
U4	1826-1992	4		IC OP AMP	06665	OP-200
U5	1826-1049	2		IC OP AMP PRCN 8-DIP-C PKG	06665	OP-27GZ
U6	1826-0774	8		IC V RGLTR-V-REF-FXD 1.22/1.24V TO-92	27014	LM385BZ-1.2
U7	1826-1327	9	2	IC V RGLTR-ADJ 5/35V 16-DIP-P PKG	9N171	UC3834N
U8	1826-1327	9		IC V RGLTR-ADJ 5/35V 16-DIP-P PKG	9N171	UC3834N
VR1	1902-0964	0	2	DIODE-ZNR 18V 5% DO-35 PD=0.4W TC=+.09%	28480	1902-0964
VR2	1902-0964	0		DIODE-ZNR 18V 5% DO-35 PD=0.4W TC=+.09%	28480	1902-0964
W1	01141-61602	4	1	WIRE ASSEMBLY-SAFETY GROUND	28480	01141-61602

Service  
**Troubleshooting and Repair**

**Table 8**

**Manufacturers' Code List**

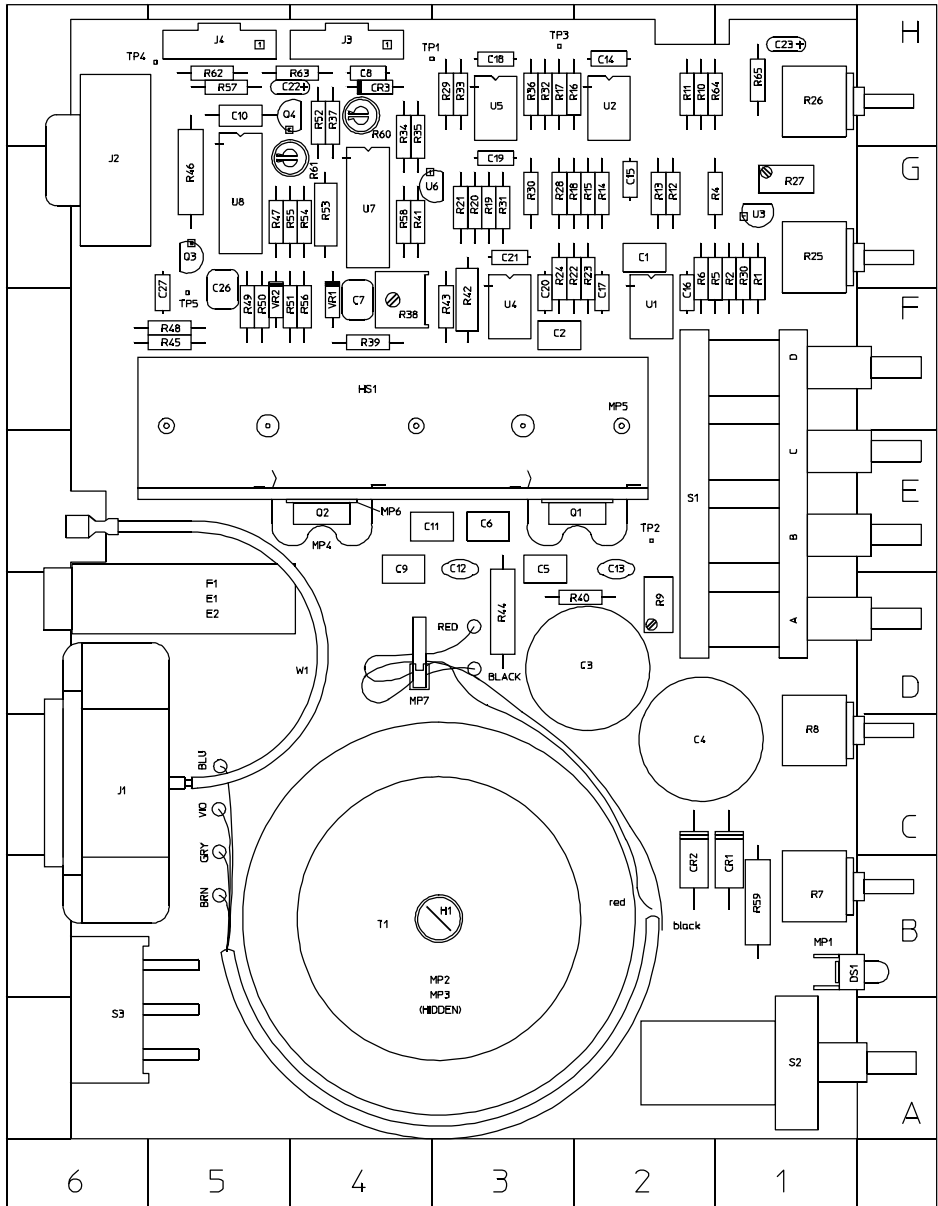
Mfr. No.	Name	Address
00000	Any satisfactory supplier	
04713	Notarial Semiconductor Products	Phoenix, AZ 85008
06665	Precision Monolithic Inc	Santa Clara, CA 95050
01295	Texas Inst. Inc Semicond Cmpnt Div	Dallas, TX 75222
19701	Mepco/Electra Corp	Mineral Wells, TX 76067
24546	Corning Glass Works (Bradford)	Bradford, PA 16701
27014	National Semiconductor Corp	Palo Alto, CA 94304
28480	Agilent Technologies	Palo Alto, CA 94304
73138	Beckman Industrial Corp	Fullerton, CA 92634
75915	Littlefuse Inc.	Des Plains, IL 60016
9N171	Unitrode Computer Products Corp	Methuen, MA 01844

**Table 9**

Ref Des	Grid Loc	Ref Des	Grid Loc	Ref Des	Grid Loc	Ref Des	Grid Loc	Ref Des	Grid Loc	Ref Des	Grid Loc	Ref Des	Grid Loc
C1	G-2	C21	G-3	J4	H-5	R14	G-2	R34	H-4	R54	G-4	TP2	E-2
C2	F-3	C22	H-4			R15	G-2	R35	H-4	R55	G-4	TP3	H-3
C3	D-2	C23	H-1	Q1	E-2	R16	H-2	R36	H-3	R56	F-4	TP4	H-6
C4	C-2	C26	F-5	Q2	E-4	R17	H-3	R37	H-4	R57	H-5	TP5	F-5
C5	E-3	C27	F-5	Q3	G-5	R18	G-2	R38	F-4	R58	G-4		
C6	E-3			Q4	H-4	R19	G-3	R39	F-4	R59	B-1	U1	F-2
C7	F-4	CR1	B-1			R20	G-3	R40	D-2	R60	H-4	U2	H-2
C8	H-4	CR2	B-2	R1	G-1	R21	G-3	R41	G-4	R61	G-4	U3	G-1
C9	E-4	CR3	H-4	R2	G-1	R22	G-2	R42	F-3	R62	H-5	U4	F-3
C10	H-5			R3	G-1	R23	G-2	R43	F-3	R63	H-4	U5	H-3
C11	E-3	DS1	B-1	R4	G-1	R24	G-3	R44	D-3	R64	H-1	U6	G-3
C12	E-3			R5	G-1	R25	G-1	R45	F-5	R65	H-1	U7	G-4
C13	E-2	E1	D-5	R6	G-2	R26	H-1	R46	G-5			U8	G-5
C14	H-2	E2	D-5	R7	B-1	R27	G-1	R47	G-5	S1	E-2		
C15	G-2			R8	C-1	R28	G-3	R48	F-5	S2	A-1	VR1	F-4
C16	F-2	F1	D-5	R9	D-2	R29	H-3	R49	F-5	S3	A-6	VR2	F-5
C17	F-2			R10	H-2	R30	G-3	R50	F-5				
C18	H-3	J1	C-6	R11	H-2	R31	G-3	R51	F-4	T1	B-4		
C19	G-3	J2	G-6	R12	G-2	R32	H-3	R52	H-4				
C20	F-3	J3	H-4	R13	G-2	R33	H-3	R53	G-4	TP1	H-3		

**Locator Table For Power and Control Assembly**

Figure 6



01143C01

Power and Control Assembly Component Locator

## Theory of Operation

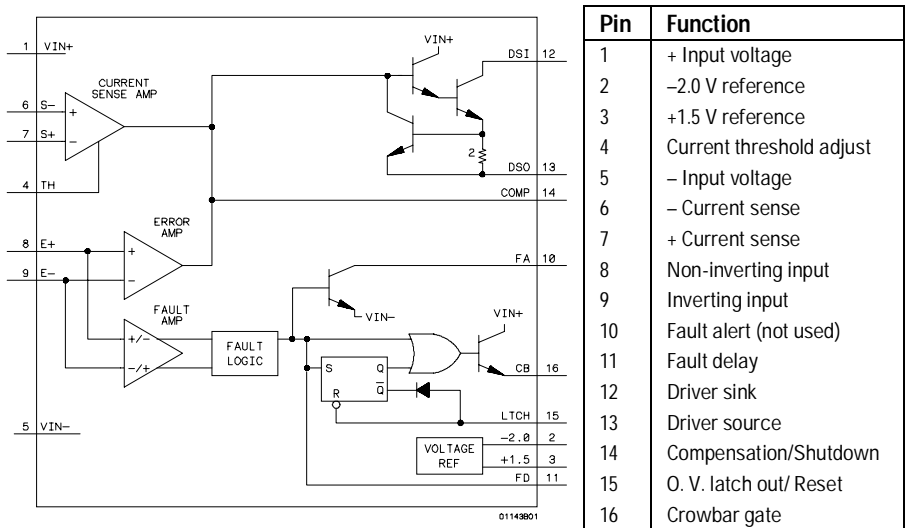
The 1143A Probe Offset Control and Power Module provides power and offset control for two active probes, such as the 54701A. Use the schematics at the end of this chapter to illustrate the following discussion. The schematics cover the power and control assembly A1. The only electrical parts not on this assembly are the two probe power cables.

### Power Supplies

Use figure 7 below, and schematics 1 and 2 (figures 8 and 9). Two power supplies provide +17.3 Vdc and -17.3 Vdc. The voltage of both supplies is set by an adjustment on the +17.3 V supply. The negative supply follows the positive supply so that a voltage increase in the positive supply causes a voltage increase in the negative supply. Each supply has a current limit adjustment which is adjusted at the factory for limiting at 330 mA.

The supplies use a linear regulator that allows a low differential between the input voltage and the regulated output voltage. The output drives a pass transistor which drives the load with it's collector. A simplified diagram of the voltage regulator IC is shown in the figure below.

Figure 7



Voltage Regulator IC Simplified Diagram

**Positive Supply** Refer to schematic 1. The reference for the positive supply is the +1.5 V reference from the IC, fed to the noninverting input of the error amplifier. The output voltage is divided through the POSITIVE VOLTAGE ADJUST and fed to the inverting input of the error amplifier. The output of the regulator IC is fed to pass transistor Q1. For additional gain, Q1 is operated with the collector as the output.

The voltage across current sense resistor R42 is fed to the current sense amplifier. The current is foldback-limited by R41 and VR1. The POSITIVE CURRENT THRESHOLD adjustment sets the current limit threshold in the amplifier.

**Negative Supply** Refer to schematic 2. The negative supply uses the same IC as the positive supply. The control voltages however, are a sum of the voltage from the positive supply, used as a reference, plus the feedback from the output of the negative supply. The voltage input from the positive supply makes the negative supply voltage track the positive supply. Q3 is an additional gain stage in the output and Q4 assures a clean start when power is applied.

The current limit circuit works the same as the one in the positive supply.

### **Offset Control**

The probe 1 and probe 2 offset circuits are virtually identical. The probe 1 circuit will be described. Use schematic 3 (figure 10, page 50) for the following discussion.

U3, a 1.23 V voltage reference, provides a reference for the internal offset control. A fixed portion of the reference feeds the non-inverting input of op-amp U1A. The fine and coarse offset controls also use the reference and feed the variable offset into the inverting input of U1A. The output of U1A swings  $\pm 10$  V, depending on the offset setting.

S1A selects the Variable offset or Zero (ground) and S1B selects the Local or Remote offset voltage.

Op-amp U1B combines the selected offset signal with an offset adjustment. PROBE 1 OFFSET ZERO is adjusted for zero offset current output when the offset input selection is Local and Zero. To reduce introduction of errors from ground loops, the ground from the remote input is returned to the input circuits of U1B.

The output of U1B drives current source U2. The output of U2 swings  $\pm 5$  mA, depending on the offset control input. The offset control drives a 500- $\Omega$  load in the 54701A active probe.



---

## Schematic Diagrams




Schematics are provided for the 1143A Probe Offset Control and Power Module which is component-level repairable. Schematics for the power and control assembly are sequentially numbered in the figure title at the bottom of the page. Schematic numbers are used to cross reference signal connections between the schematics.

On schematic 3 is a table showing the power connections, power grounds, and nonfunctional pins of ICs (integrated circuits). This helps avoid nonfunctional clutter on the schematic and gives one place to show IC power connections when IC sections are split between schematics.

Unless otherwise noted, the following component values apply:

- Resistance is in ohms.
- Capacitance is in microfarads.
- Inductance is in microhenries.

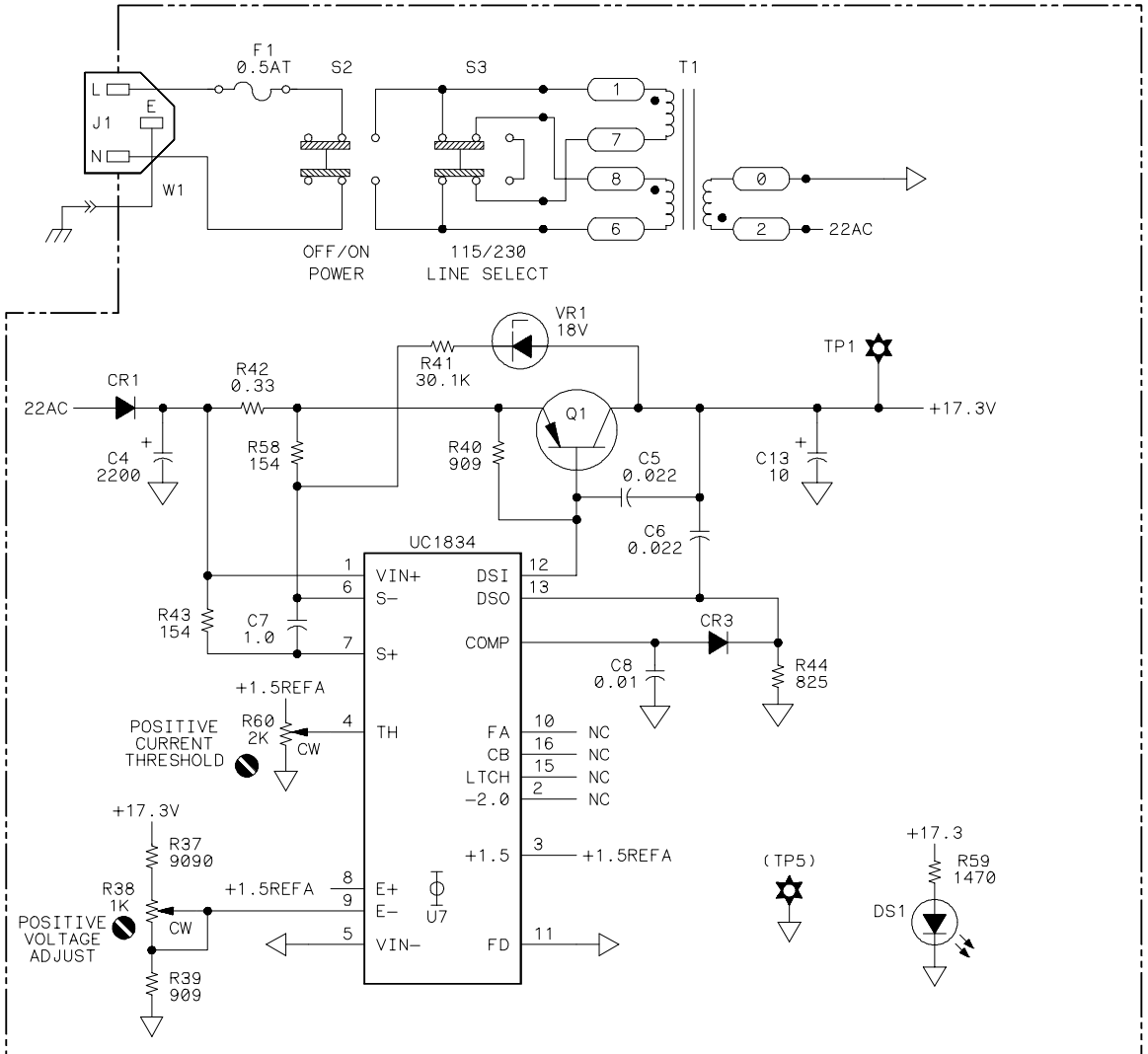
Symbols on schematics are based on current ANSI and IEEE standards. Additional schematic symbols are shown below:

	Tool-aided adjustment
	Test point with measurement aid
	Connection through machine screw

The component locator table and locator drawing for the power and control assembly are on pages 42 and 43, respectively.

# Service Troubleshooting and Repair

Figure 8



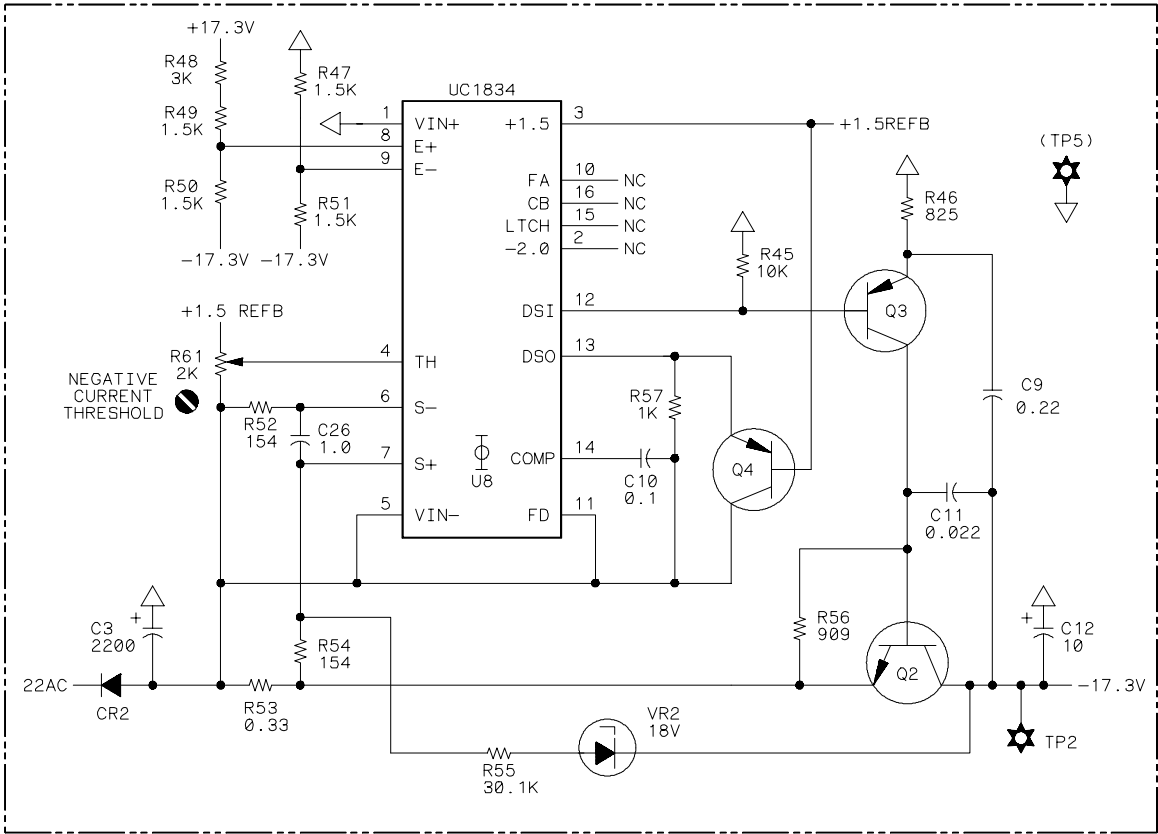
01143B02

Schematic 1. Line Input and Positive Supply

1



Figure 9

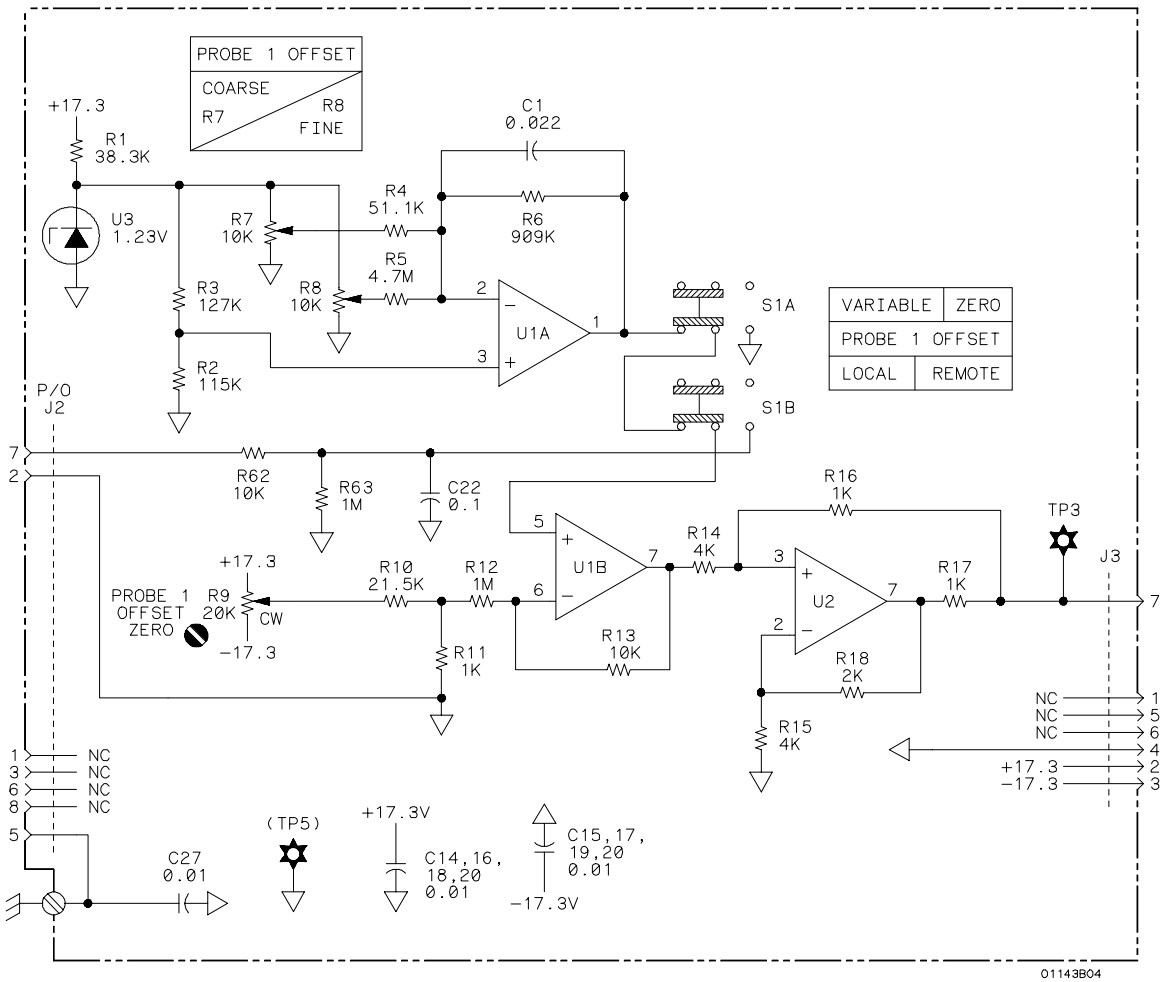


01143B03

Schematic 2. Negative Supply

2

Figure 10



01143B04

3

Schematic 3. Probe 1 Offset Control

IC Connections Not Shown (schematics 3 & 4)

Connection	Pin	IC Group
+17.3 V	8	U1, U4
-17.3 V	4	
+17.3 V	7	U2, U5
-17.3 V	4	
NC	1, 5, 8	

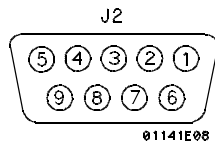
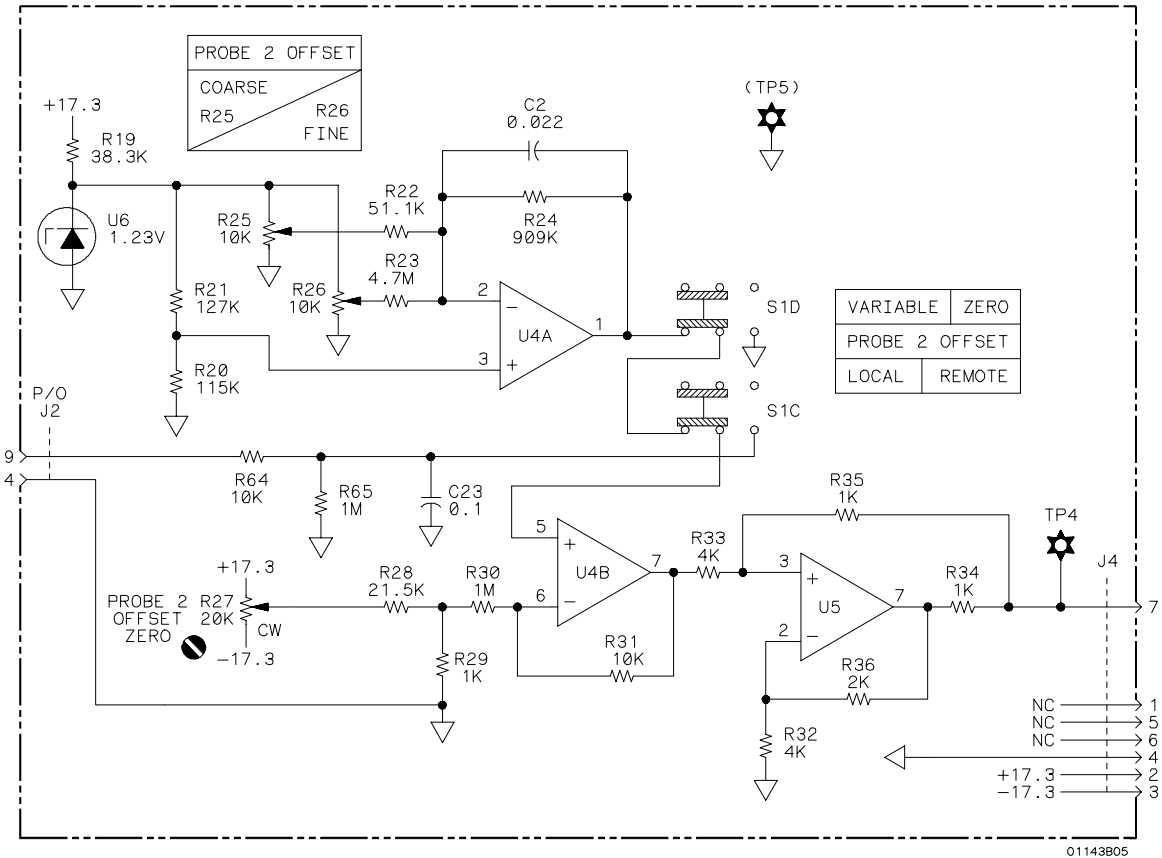


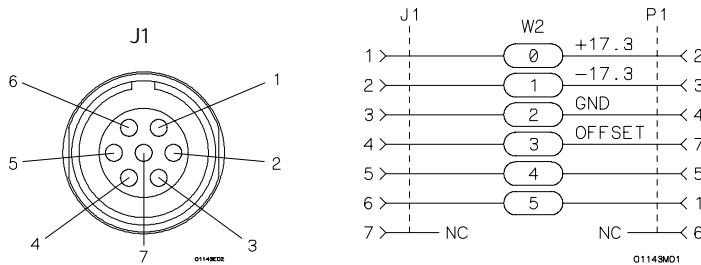
Figure 11



Schematic 4. Probe 2 Offset Control

4

Figure 12



Probe Power Cable Diagram (W2)



---

# Index

---

## A

accessories available, 2  
accessories supplied, 2  
adjusting, 27–31  
    current limits, 30  
    offset zero, 31  
    preparing equipment, 29  
    supply voltages, 29  
adjustment interval, 27  
adjustment locations, 28

## C

cable, mains power, 11  
cleaning, 23  
connector probe power cable, 12

## D

dimensions, 21  
direct mail ordering, 36  
disassembly, 34

## F

fuse, 11

## I

inspecting, 9–10

## L

line voltage selection, 11  
line voltage switch, 11  
local offset, 13  
lock probe power cable, 12

## M

mains power cable, 11  
manufacturers' codes, 35

## O

offset  
    adjusting, 31  
    local, 13  
    remote, 14–15, 17  
    troubleshooting, 33  
    variable, 13  
offset control, theory, 45  
operating characteristics, 20  
operating environment, 21  
options, 2  
ordering parts, 35  
output voltage, testing, 26

## P

packing for return, 24  
parts list, for instrument, 37  
parts list, for PC board, 38  
parts locator drawing, 43  
parts locator table, 42  
performance characteristics, 20  
power requirements, 11, 21  
power supplies  
    adjusting current limits, 30  
    adjusting voltage, 29  
    testing voltage, 26  
    theory, 44  
    troubleshooting, 32  
probe power cable, 12  
probe power cable connector, 12  
probe power cable lock, 12  
protective earth ground, 11  
protective fuse, 11

## R

recommended test equipment, 23  
remote offset, 14–15, 17  
    connector, 14  
    isolation, 15  
    offset errors, 15  
    range, 14  
    reference, 15  
    zeroing, 15  
Remote/Local switch, 13  
replacing parts, 35  
returning the supply to HP, 24

## S

safety, 27  
schematic diagrams, 47–51  
service strategy, 3, 23  
set up, 12  
storage environment, 21  
switch  
    line voltage, 11  
    Remote/Local, 13  
    Zero/Variable, 13

## T

test equipment required, 23  
test interval, 25  
testing performance, 25  
theory, offset control, 45  
theory, power supplies, 44

## V

Variable offset, 13

## W

weight, 21

## Z

Zero/Variable switch, 13

# DECLARATION OF CONFORMITY

according to ISO/IEC Guide 22 and EN 45014

**Manufacturer's Name:** Agilent Technologies  
**Manufacturer's Address:** Colorado Springs Division  
1900 Garden of the Gods Road  
Colorado Springs, CO 80907 USA

declares, that the product

**Product Name:** Oscilloscope Probe/Power Supply  
**Model Number(s):** 54701A/1143A  
**Product Option(s):** All

conforms to the following Product Specifications:

**Safety:** IEC 348:1978 / HD 401 S1:1981  
UL 1244  
CSA-C22.2 No. 231 (Series M-89)


**EMC:** CISPR 11:1990 / EN 55011:1991 Group 1 Class A  
IEC 555-2:1982 + A1:1985 / EN 60555-2:1987  
IEC 555-3:1982 + A1:1990 / EN 60555-3:1987 + A1:1991  
IEC 801-2:1991 / EN 50082-1:1992 4 kV CD, 8 kV AD  
IEC 801-3:1984 / EN 50082-1:1992 3 V/m, {1kHz 80% AM, 27-1000 MHz}  
IEC 801-4:1988 / EN 50082-1:1992 0.5 kV Sig. Lines, 1 kV Power Lines

## Supplementary Information:

The product herewith complies with the requirements of the Low Voltage Directive 73/23/EEC and the EMC Directive 89/336/EEC and carries the CE marking accordingly.

This product was tested in a typical configuration with Agilent Technologies test systems.

Colorado Springs, May 15, 1992

  
\_\_\_\_\_  
John Strathman, Quality Manager

European Contact: Your local Agilent Technologies Sales and Service Office or Agilent Technologies GmbH,  
Department ZQ / Standards Europe, Herrenberger Strasse 130, D-71034 Böblingen Germany (FAX:  
+49-7031-14-3143)

Reproduction, adaptation, or translation without prior written permission is prohibited, except as allowed under the copyright laws.

### Document Warranty

The information contained in this document is subject to change without notice.

**Agilent Technologies makes no warranty of any kind with regard to this material, including, but not limited to, the implied warranties of merchantability or fitness for a particular purpose.**

Agilent Technologies shall not be liable for errors contained herein or for damages in connection with the furnishing, performance, or use of this material.

Complete product warranty information is given at the end of this manual.

### Safety

This apparatus has been designed and tested in accordance with IEC Publication 348, Safety Requirements for Measuring Apparatus, and has been supplied in a safe condition. This is a Safety Class I instrument (provided with terminal for protective earthing). Before applying power, verify that the correct safety precautions are taken (see the following warnings). In addition, note the external markings on the instrument that are described under "Safety Symbols."

### Warning

- Before turning on the instrument, you must connect the protective earth terminal of the instrument to the protective conductor of the (mains) power cord. The mains plug shall only be inserted in a socket outlet provided with a protective earth contact. You must not negate the protective action by using an extension cord (power cable) without a protective conductor (grounding). Grounding one conductor of a two-conductor outlet is not sufficient protection.
- Only fuses with the required rated current, voltage, and specified type (normal blow, time delay, etc.) should be used. Do not use repaired fuses or short-circuited fuseholders. To do so could cause a shock of fire hazard.

- Service instructions are for trained service personnel. To avoid dangerous electric shock, do not perform any service unless qualified to do so. Do not attempt internal service or adjustment unless another person, capable of rendering first aid and resuscitation, is present.

- If you energize this instrument by an auto transformer (for voltage reduction), make sure the common terminal is connected to the earth terminal of the power source.

- Whenever it is likely that the ground protection is impaired, you must make the instrument inoperative and secure it against any unintended operation.

- Do not operate the instrument in the presence of flammable gasses or fumes. Operation of any electrical instrument in such an environment constitutes a definite safety hazard.

- Do not install substitute parts or perform any unauthorized modification to the instrument.

- Capacitors inside the instrument may retain a charge even if the instrument is disconnected from its source of supply.

- Use caution when exposing or handling a CRT. Handling or replacing a CRT shall be done only by qualified maintenance personnel.

### Safety Symbols



Instruction manual symbol: the product is marked with this symbol when it is necessary for you to refer to the instruction manual in order to protect against damage to the product.



Hazardous voltage symbol.



Earth terminal symbol: Used to indicate a circuit common connected to grounded chassis.

### WARNING

The Warning sign denotes a hazard. It calls attention to a procedure, practice, or the like, which, if not correctly performed or adhered to, could result in personal injury. Do not proceed beyond a Warning sign until the indicated conditions are fully understood and met.

### CAUTION

The Caution sign denotes a hazard. It calls attention to an operating procedure, practice, or the like, which, if not correctly performed or adhered to, could result in damage to or destruction of part or all of the product. Do not proceed beyond a Caution symbol until the indicated conditions are fully understood or met.

---

## Product Warranty

This Agilent Technologies product has a warranty against defects in material and workmanship for a period of three years from date of shipment. During the warranty period, Agilent Technologies will, at its option, either repair or replace products that prove to be defective.

For warranty service or repair, this product must be returned to a service facility designated by Agilent Technologies.

For products returned to Agilent Technologies for warranty service, the Buyer shall prepay shipping charges to Agilent Technologies and Agilent Technologies shall pay shipping charges to return the product to the Buyer. However, the Buyer shall pay all shipping charges, duties, and taxes for products returned to Agilent Technologies from another country.

Agilent Technologies warrants that its software and firmware designated by Agilent Technologies for use with an instrument will execute its programming instructions when properly installed on that instrument. Agilent Technologies does not warrant that the operation of the instrument software, or firmware will be uninterrupted or error free.

## Limitation of Warranty

The foregoing warranty shall not apply to defects resulting from improper or inadequate maintenance by the Buyer, Buyer-supplied software or interfacing, unauthorized modification or misuse, operation outside of the environmental specifications for the product, or improper site preparation or maintenance.

**No other warranty is expressed or implied. Agilent Technologies specifically disclaims the implied warranties of merchantability or fitness for a particular purpose.**

## Exclusive Remedies

The remedies provided herein are the buyer's sole and exclusive remedies. Agilent Technologies shall not be liable for any direct, indirect, special, incidental, or consequential damages, whether based on contract, tort, or any other legal theory.

## Assistance

Product maintenance agreements and other customer assistance agreements are available for Agilent Technologies products.

For any assistance, contact your nearest Agilent Technologies Sales Office.

## Certification

Agilent Technologies certifies that this product met its published specifications at the time of shipment from the factory. Agilent Technologies further certifies that its calibration measurements are traceable to the United States National Institute of Standards and Technology, to the extent allowed by the Institute's calibration facility, and to the calibration facilities of other International Standards Organization members.

## About this edition

This is the first edition of the *1143A Probe Offset Control and Power Module User and Service Guide*.

Publication number

01143-97000

Printed in USA.

Edition dates are as follows:

First edition, June 2000

New editions are complete revisions of the manual. Update packages, which are issued between editions, contain additional and replacement pages to be merged into the manual by you. The dates on the title page change only when a new edition is published.

A software or firmware code may be printed before the date. This code indicates the version level of the software or firmware of this product at the time the manual or update was issued. Many product updates do not require manual changes; and, conversely, manual corrections may be done without accompanying product changes. Therefore, do not expect a one-to-one correspondence between product updates and manual updates.

The following list of pages gives the date of the current edition and of any changed pages to that edition.

All pages original edition